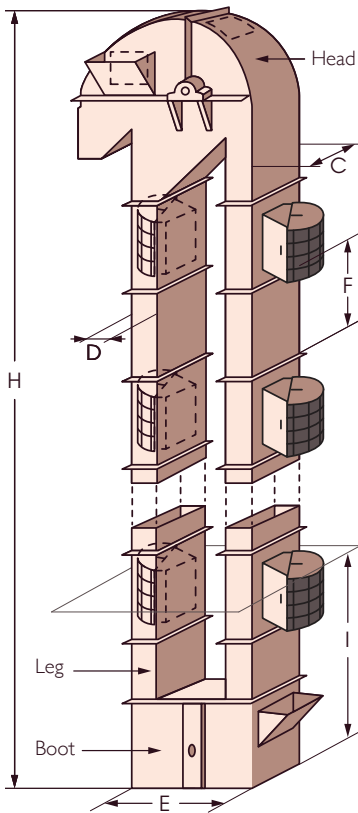


## QUESTIONNAIRE FOR FLAMLESS EXPLOSION VENTING VIGILEX VQ AGAINST DUST EXPLOSION

<b>CUSTOMER</b>		
<b>REF.</b>		
<b>PRODUCT</b>		
	KST	bar.m/s
	Pmax	bar
Elevator Pressure resistance	Pred	bar
Lenght of the head	A	mm
Height of the head	B	mm
Width of the legs	C	mm
Depth of the legs	D	mm
Total width	E	mm
Lenght of the legs	F	mm
Height of the boot	G	mm
Total height	H	m
Height of the pit	I	m

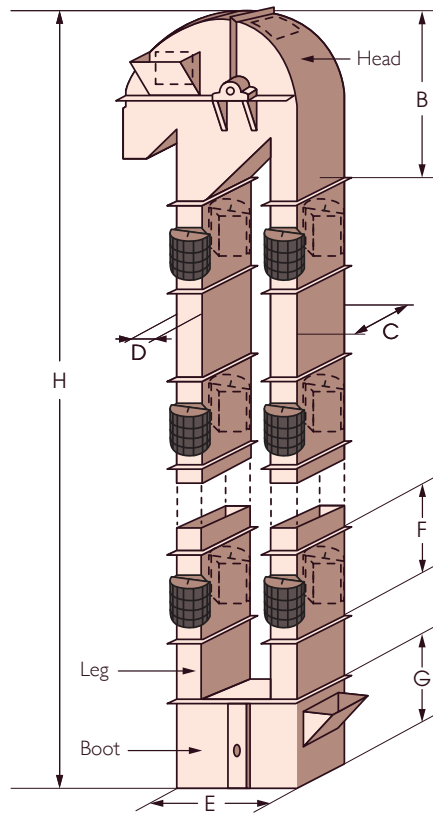
Configuration n° 1

Explosion protection on the side of a double legs elevator



Configuration n° 2

Explosion protection in front of a double legs elevator



Configuration n° 3

Explosion protection in front of a simple elevator

